



# 1/2 SIZE CUBIC INCH 2 FORM C ELECTRO MAGNETIC RELAY

**Series  
2TM**

## Features

- 2 form C
- Electro magnetic relay
- 10A contacts switching capability
- High ambient applicability
- All metal welded construction
- Hermetically welded



## Environmental Specifications

Temperature (Ambient)	- 65°C to + 125°C	
Humidity	98%, 40°C	
Low-air pressure	4,4 kPa	
Sine vibration	Frequency	10 Hz to 3000 Hz
	Acceleration	294m/s <sup>2</sup>
Shock resistance	1960 m/s <sup>2</sup>	
Random vibration	40 (m/s <sup>2</sup> ) <sup>2</sup> /Hz	
Steady-state acceleration	490 m/s <sup>2</sup>	

## Contact Data

Arrangement	2 C	
Contact resistance	Initial max.	0,01Ω
	After life max.	0,125V

## Contact Data

Type	Contact load		Electrical life min.
	28 Vdc	115Vac 400 Hz Single Phase	
Resistive	10A	10A	1 x 10 <sup>5</sup> OPS
Inductive	8A	8A	2 x 10 <sup>4</sup> OPS
Motor	4A		1 x 10 <sup>5</sup> OPS
Lamp load	2A		1 x 10 <sup>5</sup> OPS



# 1/2 SIZE CUBIC INCH 2 FORM C ELECTRO MAGNETIC RELAY

**Series  
2TM**

## Specification

Insulation resistance min.	Initial	100 MΩ (@ 500 Vdc)
	After life or after testing	50 MΩ (@ 500 Vdc)
Dielectric strength min. (Normal condition)	Between coil and cover	1000 Vrms
	Between other insulation parts (initial)	1250 Vrms
	Between other insulation parts (after life testing)	1000 Vrms
Dielectric strength min. (Low air pressure condition)		350 Vrms
Leakage rate max.		$1 \times 10^{-3} \text{ Pa}\cdot\text{cm}^3/\text{s}$
Operate time max.		15 ms
Release time max.		15 ms
Mounting style		See the mounting dimension
Terminals		See the terminal styles
Work position		Random
Weight max.		46 g

## Coil Data

Nominal coil power	Approx. 2,8W
--------------------	--------------

## Electrical Characteristics (over the Temperature range. Unless otherwise noted)

Voltage Code	Coil Voltage (Vdc)		at 25 °C				-65°C to 125°C		
	Nominal voltage	Value Max.	Coil resistance (Ω) min.	Pick-up voltage max.	Hold voltage max.	Drop-Out voltage max.	Pick-up voltage max.	Hold voltage max.	Drop-Out voltage max.
106	6	7,3	18	3,2	1,6	0,4	4,5	2,3	0,25
112	12	14,5	72	6,5	3,3	0,75	9,0	4,5	0,5
126	28	29,0	280	15,5	5,5	2,3	20,0	7,0	1,5

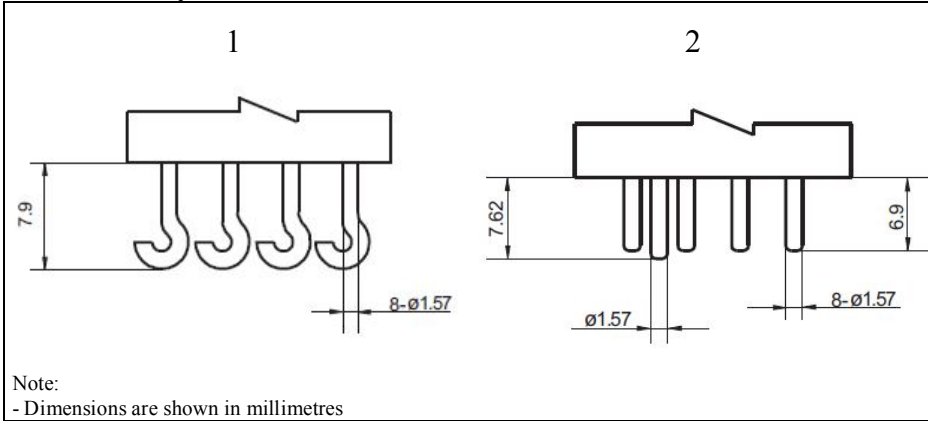
Pick-up voltage max.	
High temp. test	Continuous electric test
5,0	5,7
9,9	11,25
21,0	25,0



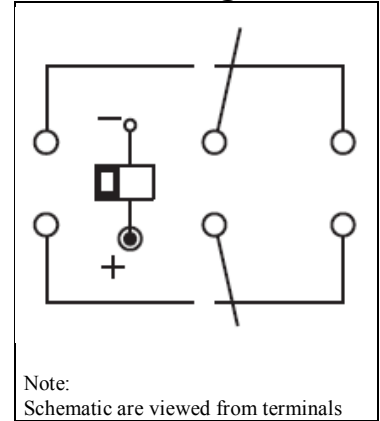
# 1/2 SIZE CUBIC INCH 2 FORM C ELECTRO MAGNETIC RELAY

**Series  
2TM**

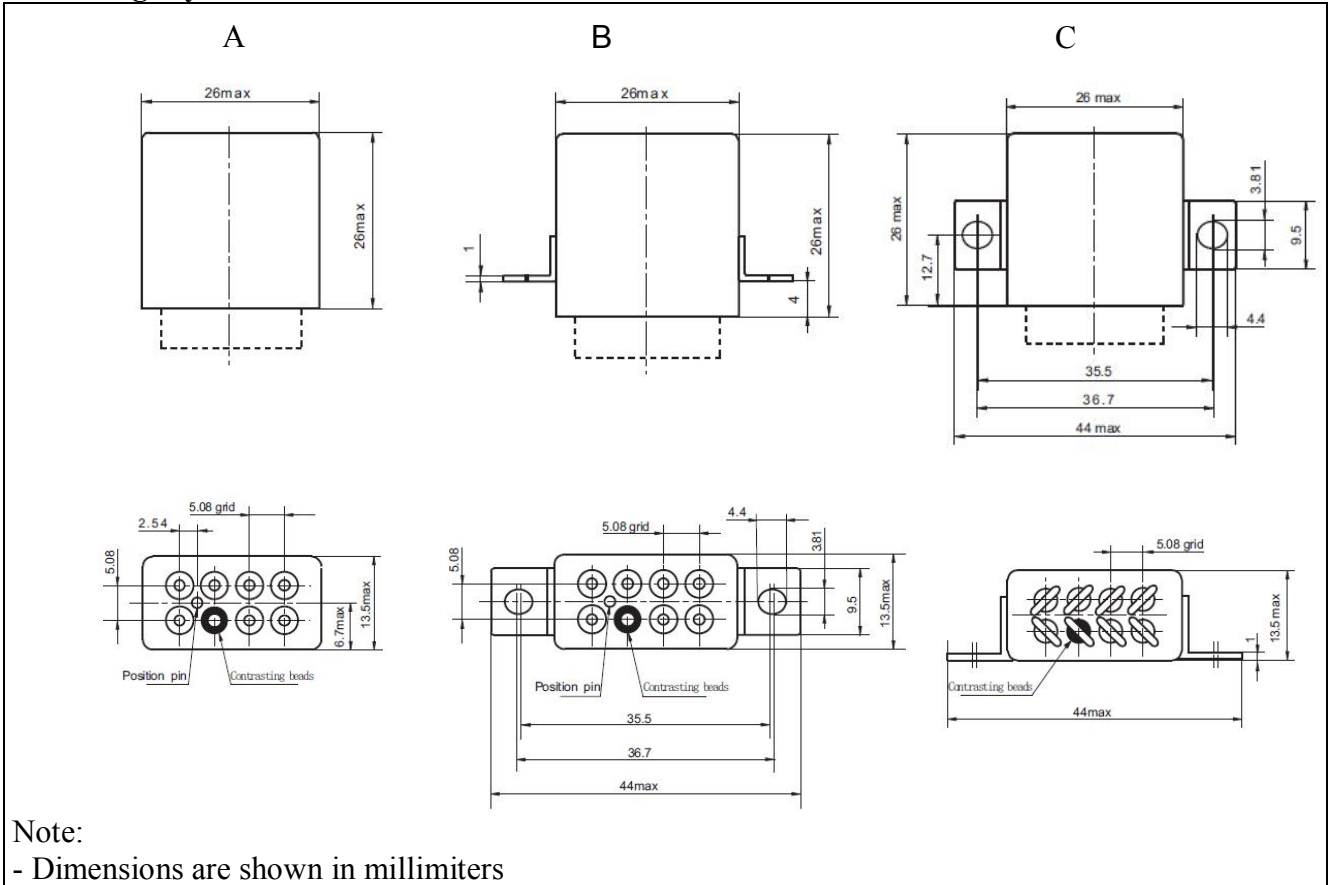
## Terminal Styles



## Schematic Diagram



## Mounting Styles



## How to Order (Part Numbering System)

	2TM	-2	A	-126
Series				
Terminal Style				
Mounting Style				Voltage Code



**NOTE**

---

---

---

---

---

---

---

---

---

---

---

---

---

---

---

---

---

---

---

---

---

---

---

---

---

---